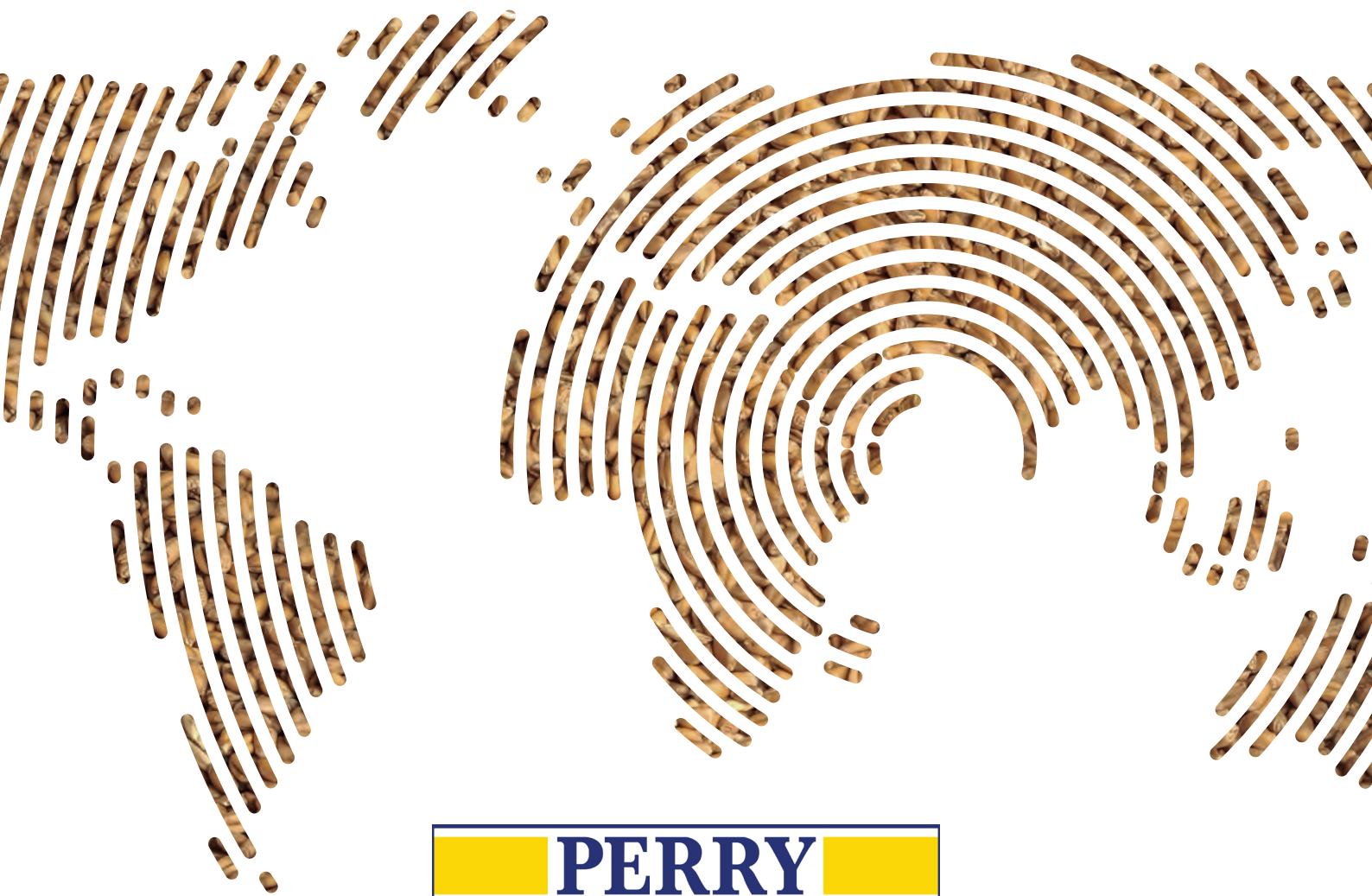


INNOVATION, EXPERIENCE
AND PERFORMANCE...
**ALL YOU NEED TO INSPECT
YOUR GRAINS !**

SAMPLING



**TOUT POUR
LE GRAIN**

EDITORIAL



Tout Pour Le Grain (TPLG) was founded in 1959 with the agricultural modernisation. We are designing machinery for the handling and storage of cereals to store grain in optimal conditions, both for farmers and cooperative storage sites.

In the mid 1970s, TPLG designed Europe's first automatic grain sampler, which evolved into a fully automated system in the 1980s. At TPLG, with the 21st century, we adopted of a new strategy based on an assertive R&D policy by strengthening its engineering team dedicated to sampling. Our branding is acknowledge in becoming a major player in the French market for the handling and storage of cereals and one of the world's innovative company in the industry, thus contributing to the grain standards for sampling.

Tout Pour Le Grain is continually moving forward in creating solutions answering our customer's needs. This is one of our core values and commitments. Our teams strive every day to meet your needs.

Hugues HERMAND
Director



SAMPLING



A SAMPLER TO GET THE RIGHT VALUE FROM YOUR GRAIN !

To meet market demands, comply with standards and automate your sampling operations, TPLG has a solution! With a unique range of products designed to meet all your specific requirements, we work alongside you every day to make sure you get the most out of your production.

We have a range of products to suit your needs:

equip farmers grain collection sites, grain elevators & silos, river and seaport silos, grain samplers for agricultural vehicles, lorries, rail cars, loading and unloading barges, grain carrying circuits or in-silo processed products. Regardless of the method you choose, the accuracy of the sampling operation will increase with the number of sub-samples taken throughout the grain load, as imposed by the ISO standard on static sampling (NF EN ISO standard 24333 (2010-02)). It increases the representativity of the sample, therefore ensuring the right value from your grain.



Consulting and expertise

We run a feasibility and installation study and draft your specifications. Backed by more than 60 years of experience, TPLG has the best possible understanding of standards and constraints to offer you the ultimate in quality of service.

Tailored projects



Is your project as unique as you are? At TPLG, we study each one of your enquiries. You'll benefit from a dedicated contact person to tackle all your project's requirements and challenges ... That's the commitment of our specialists.



Support

We manage every phase, from your initial enquiry all the way through to project follow-up, including design, production in our factory, automation, installation and maintenance. This philosophy is backed by our teams' quick responsiveness and availability.



Falcon

Pages 04-05

Cobra

Pages 06-07

Cameleon

Pages 08-09

Phaeton

Pages 10-11

S.A.R.A.

Page 12

Moustick

Page 13

Informations & achievements

Pages 14-15

FALCON

STANDARD & GYROSCOPIC*

AN OPTIMIZED SAMPLER, DESIGNED TO LAST !



Wide sampling area



Optimal grain penetration force



1,9kW to 7,5 kW vacuum turbine (depending on the sample conveying distance)



Wireless remote control

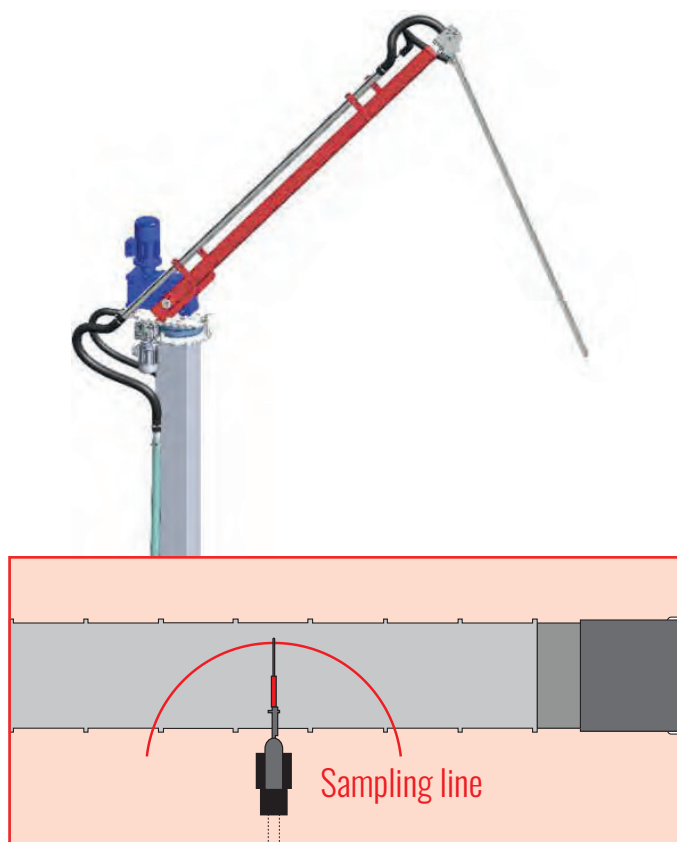


High sampling speed (automatic mode)

**The standard and gyrosopic versions differ above all in terms of their respective sampling areas.*

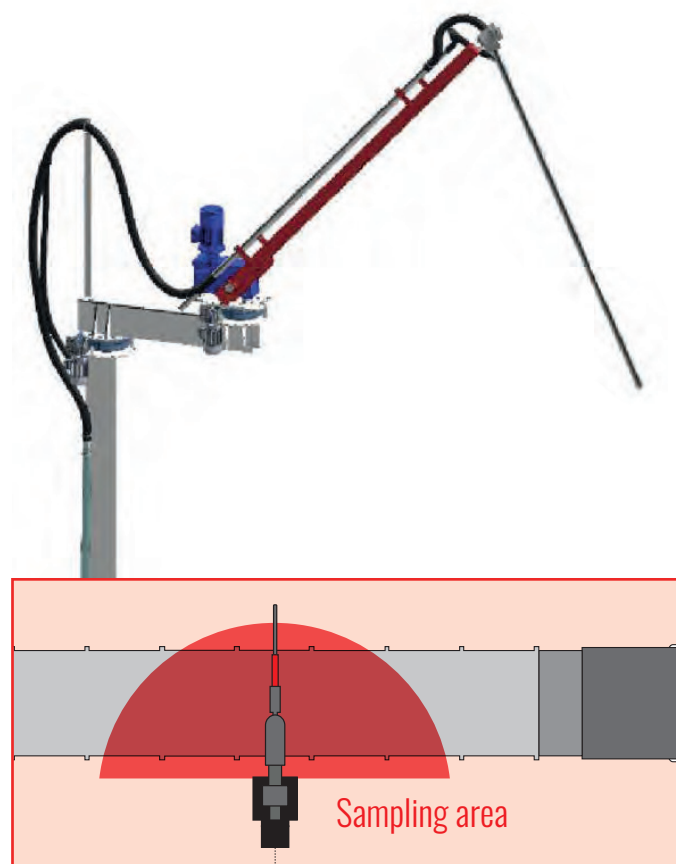
FALCON STANDARD

In its Standard version, Falcon is equipped with one swivel drive gearmotor and one up/down drive gearmotor, all electrically operated.



FALCON GYROSCOPIC

In its Gyroscopic version, Falcon is equipped with 2 swivel drives thus allowing it to cover a wider sampling area.



The gearmotors are controlled through variable frequency drives for torque boost, trailer bottom detection and an adjustable force of penetration.

REPRESENTATIVE, QUICK AND EFFECTIVE SAMPLING !

In addition to being easy to install and use, Falcon adapts to all types of vehicles. For optimal representativeness, the sampler is supplied with a twin-tube probe allowing for core-sampling. The sample is carried from the probe tip to the receiver station in the laboratory in through food-grade antistatic pipes. The suction turbine and the electric enclosure are attached to the pillar.

	STANDARD VERSION	GYRO VERSION
Pillar cross-section	250 mm	250 mm
Swivel drive gearmotor	1 X 0,55 kW	2 X 0,55 kW
Up/Down drive gearmotor	1.1 kW	1.1 kW
Base plate	600 x 600 mm	600 x 600 mm
Sampling radius	3200 mm	4300 mm
Warranty on electrical and mechanical components	3 years	3 years
Electric power	400 VAC + N + E 50 Hz	400 VAC + N + E 50 Hz
Turbine power	1.9 kW à 7.5 kW	1.9 kW à 7.5 kW

COBRA

WITH THE COBRA, YOUR SAMPLING OPERATIONS RUN SMOOTHLY!

Designed to meet the constraints imposed by the ISO 24333 standard, the Cobra covers the entire length of the trailer on the longest vehicles.



Operating radius of 3,200 mm



Customisable gantry rail length: 6 m, 12 m, 16 m, 20 m, 24 m, and longer



1.9kW to 7.5kW vacuum turbine depending on the sample conveying distance



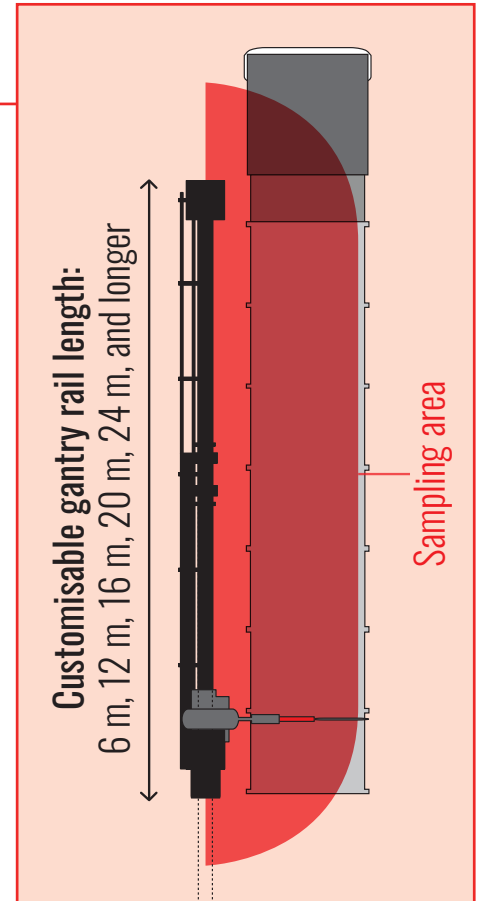
Next-generation, touch panel control box



Entirely sealed cyclonic-type receiver station with integrated filtering system



The quickest sampling in automated mode



THE COBRA 4000 SAMPLER HEAD IS MOUNTED ON A GANTRY RAIL ATTACHED TO PILLARS.

The head is equipped with a longitudinal drive gearmotor, a swivel drive gearmotor and an up/down drive gearmotor, all controlled by a variable frequency drive. This design offers torque boost, adjustable grain penetration force and trailer bottom detection. For an optimal representative sample, this sampler is equipped with a twin-walled probe to allow a core of grain to be taken (core sampling). The sample is conveyed from the probe to the receiver cabinet in the lab in food-grade, anti-static hosing. The vacuum turbine and electric enclosure are attached to the pillar.

With Cobra's fully customisable gantry rail, TPLG lets you choose from several variations ranging from 6 to 24 m or longer, depending on your requirements.

This sampler is also available in a premium version, offering high performance for heavy-duty industrial use.

	STANDARD VERSION	PREMIUM VERSION
Pillar cross-section	250 mm	250 mm
Swivel drive gearmotor	0.55 kW	0.55 kW
Longitudinal drive gearmotor	1.5 kW	1.5 kW
Up/down drive gearmotor	1.1 kW	1.5 kW
Base plate	600 x 600 mm	600 x 600 mm
Operating radius	3,200 mm	3,200 mm
Warranty on mechanical & electrical components	1 year	2 years

	3000 SERIES	4000 SERIES
Electric power	230 VAC N + ph	400 VAC + N + E 50 Hz
Turbine power	1.9 kW	1.9 kW to 7.5 kW

CAMELEON 4000

THE CAMELEON ADAPTS TO ANY TYPE OF VEHICLE!

The Cameleon was designed to meet the specific needs of sampling operations on tankers and rail cars, but is equally suitable for all other types of vehicles. The sampler head is mounted on a gantry rail and travels along its structure for sample intake on the vehicle's centre line. The drive gearmotors are controlled through a variable frequency drive for torque boost, trailer bottom detection and an adjustable force of penetration.



Precise positioning of the sampler head



Upright sampling ensures optimal grain penetration force



Customisable sliding rail length



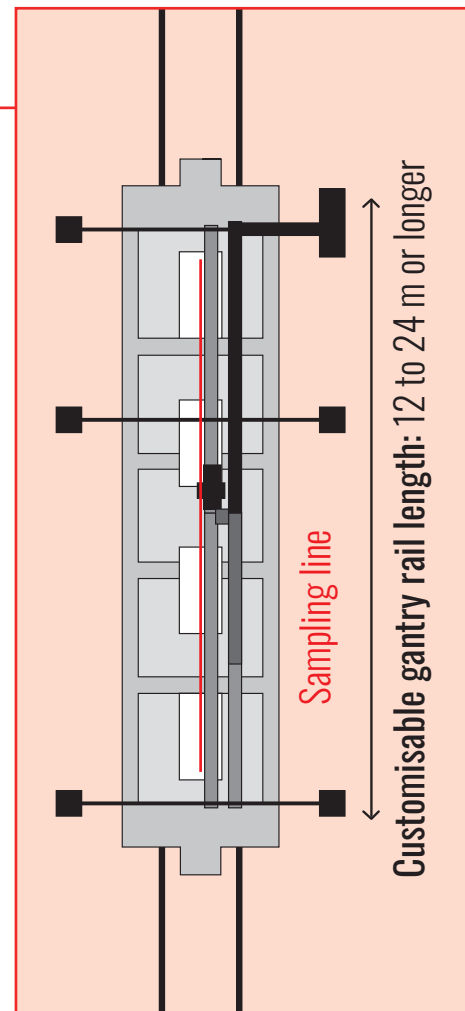
1.9kW to 7.5kW vacuum turbine depending on the sample conveying distance



Next-generation, touch panel control box



Entirely sealed cyclonic-type receiver station with integrated filtering system



CAMELEON'S SAMPLER HEAD IS MOUNTED ON A GANTRY RAIL AND TRAVELS ALONG ITS STRUCTURE.

The drive gearmotors are controlled through a variable frequency drive for torque boost, trailer bottom detection and an adjustable force of penetration. The vertical stroke of its probe gives Cameleon a high grain penetration force, allowing the probe to dive as deep as 4 m, even in high density products and powdery materials. The longitudinal travel along the gantry rail allows for precision sampling of long vehicles. For an optimal representative sample, this sampler is equipped with a twin-walled probe to allow a core of grain to be taken (core sampling). The sample is conveyed from the probe to the receiver cabinet in the lab in food-grade, anti-static hoses. The vacuum turbine and electric enclosure are attached to the pillar.

With Cameleon's fully customisable gantry rail, TPLG lets you choose from several variations ranging from 12 to 24 m or longer, depending on your requirements.

Longitudinal drive gearmotor	1.5 kW
Up/down drive gearmotor	1.85 kW
Base plate	400 x 400 mm
Warranty on mechanical & electrical components	2 years
Electric power	400 VAC + N + E 50 Hz
Turbine power	1.9 kW to 7.5 kW

PHAETON 4000

PHAETON, UNPARALLELED FEATURES!

Designed to offer optimal coverage with upright sampling, this new sampler combines versatility, performance and reliability.



Precise positioning of the sampler head



Upright sampling ensures optimal grain penetration force



Customisable gantry rail length



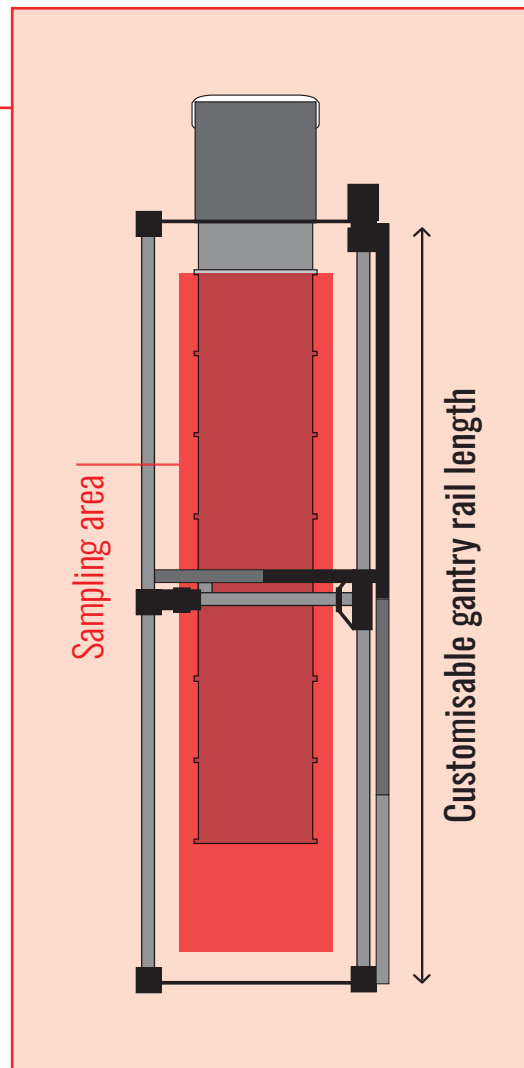
1.9kW to 7.5kW vacuum turbine depending on the sample conveying distance



Next-generation, touch panel control box



Entirely sealed cyclonic-type receiver station with integrated filtering system



THE PHAETON IS THE SAMPLER FOR ANY TYPE OF VEHICLE.

The Phaeton travels along two axes and allows for quick, accurate positioning. The sampler head is equipped with a 1.85kW up/down drive gearmotor for effortless penetration in all types of product. All the drive motors are controlled through a variable frequency drive (torque boost, adjustable force of penetration and trailer bottom detection). The longitudinal travel along the gantry rail allows for precision sampling of long vehicles. For an optimal representative sample, this sampler is equipped with a twin-walled probe to allow a core of grain to be taken (core sampling). The sample is conveyed from the probe to the receiver cabinet in the lab in food-grade, anti-static hosing. The vacuum turbine and electric enclosure are attached to the pillar.

As a fully customisable sampler, TPLG offers the Phaeton in several variations depending on your requirements.

Longitudinal drive gearmotor	1.5 kW
Up/down drive gearmotor	1.85 kW
Base plate	400 x 400 mm
Warranty on mechanical & electrical components	2 years
Electric power	400 VAC + N + E 50 Hz
Turbine power	1.9 kW to 7,5 kW

S.A.R.A.



THE S.A.R.A. THE S.A.R.A. IS A FULLY AUTOMATED SYSTEM FOR THE RECEPTION AND REDISTRIBUTION OF THE INCOMING GRAIN SAMPLE.

It gives you control over the quality management process from the sample intake right down to the possible data transfer from the analyser devices to your IT system via the "Sarasoft" software (optional). With a completely customisable system, it lets you integrate an unlimited number of analyser devices to meet the highest customer demands.

The S.A.R.A. cuts down testing time and increases the accuracy of your results, while reducing the risk of falsification and human error.



Samples arrive in the cyclonic-type receiver station attached to a rotating or longitudinal carriage



Automatic detection of the required grain level



Homogenisation by a mixing auger



Distribution to the various processing stations, such as:
Grain cleaner / Analyser devices / Sample collecting retainer / Bagging machine / Material surplus recirculation hopper

The S.A.R.A. can also be designed to process raw grain as well as cleaned grain.

MOUSTICK & LYNX

THE MOUSTICK: A VERSATILE GRAIN SAMPLER.

Its tube penetrates the circuit you want to sample, extracts a certain amount of cereal and transfers it to the retainer. This sampler comes in two basic models: "gravity chute" and "vacuum intake". In the gravity chute model, the grain falls into the retainer by gravity, while the "vacuum intake" option features a turbine that vacuums the grain and conveys it to the lab.

This model does not require a tilt between the sampler and the receiver station. A mounting ball is used to support the sampler fixed in the circuit. A tilt of 0 to 45° is required.



THE LYNX: A CROSS-STREAM CEREAL SAMPLER.

Similar to the Moustick, it is installed in the hosing and samples the desired circuit, but in a more representative manner. The Lynx samples a "cross section" of a stream of grain flowing through the hoses, by gravity or vacuum intake. The sample is then conveyed to the receiver station in the lab.

SAMPLED

PRODUCTS

A SAMPLER TO GET **THE RIGHT VALUE FROM YOUR GRAIN!**

Our automatic grain samplers take out samples from different types of vehicle and transfer the samples to analyzing lab.

NOW YOU CAN SAMPLE **A LARGE RANGE OF PRODUCTS!**



Ø50
hoses



SAVE TIME, **BE MORE EFFICIENT!**

Thanks to the technology used, the samplers are able to work on different types of cereals and product.

ACHIEVEMENTS



2 Phaetons 4012, France



Cobra 4012, France



Falcon Gyroscopic, Hungary



Phaeon 4016, Croatia



EXPORT > TPLG OPERATES IN 60 COUNTRIES WORLDWIDE

As a key player on the French market, TPLG solutions are represented in 60 countries across the globe. At TPLG, we aim to meet the highest market demands. That's why we've developed a wide range of samplers for all types of applications, offering automated, innovative, tailored solutions for the main actors in the global agricultural and food-processing industries.



TPLG ALSO OFFERS STORAGE AND HANDLING SOLUTIONS!

For the past 60 years, TPLG has served farmers, cooperatives and industries looking for grain storage and handling equipment. We manage your projects from A to Z, from your initial enquiry to installation and maintenance.

Our solutions include grain storage silos, machinery for the drying, ventilation, handling and cleaning of cereals, and more.



TOUT POUR LE GRAIN



www.perryofoakley.co.uk

www.toutpourlegrain.fr

Dunkeswell Airfield, Honiton, Devon, EX14 4LF

2 rue des Jonquilles, 89260, Perceneige

sales@perryofoakley.co.uk

contact@toutpourlegrain.fr

+44 (0)1404 890 300

+33 3 86 88 98 00