

FALCON

STANDARD & GYROSCOPIC*

NEW



AN OPTIMIZED SAMPLER, DESIGNED TO LAST !



Wide sampling area



Optimal grain penetration force



1,9kW to 7,5 kW vacuum turbine depending on the sample conveying distance



Wireless remote control

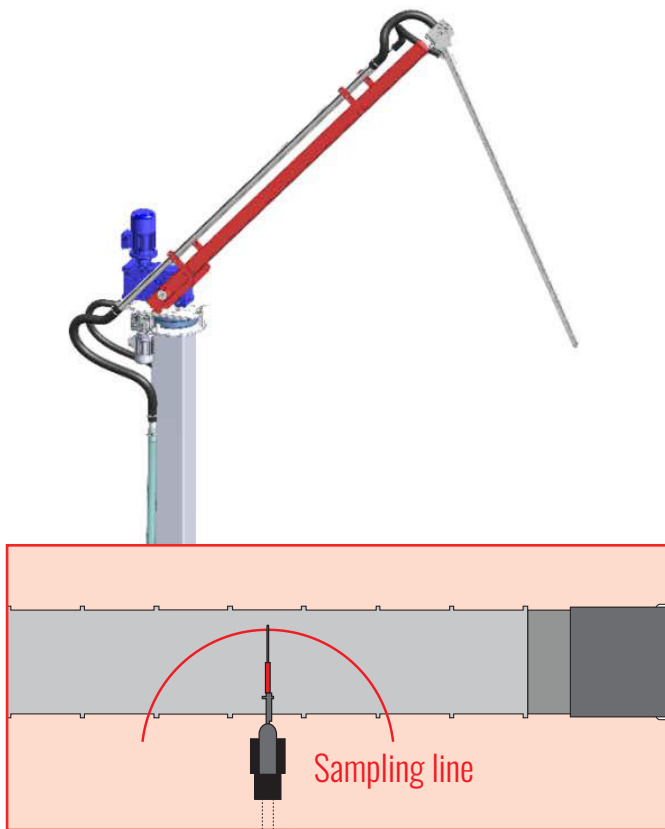


High sampling speed (automatic mode)

**The standard and gyroscopic versions are distinguished by their sampling areas.*

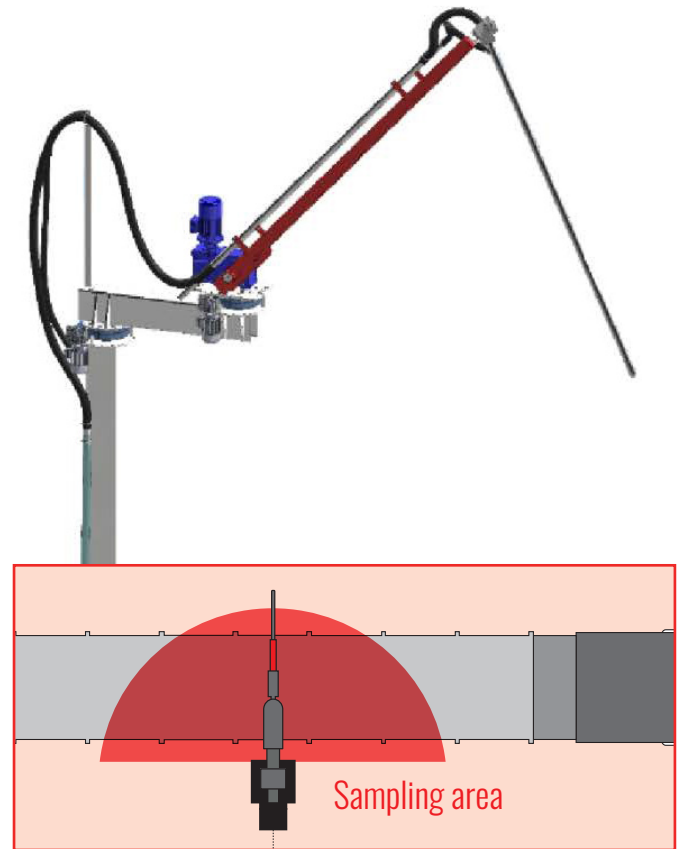
FALCON STANDARD

In its Standard version, the Falcon is equipped with a swivel drive gearmotor and an up/down drive gearmotor, all electrically operated.



FALCON GYROSCOPIC

In its Gyroscopic version, the Falcon is equipped with 2 swivel drive gearmotors, which allows to cover a wider sampling area.



The drive gearmotors are controlled through a variable frequency drive for torque boost, trailer bottom detection and an adjustable force of penetration.

REPRESENTATIVE, QUICK AND EFFECTIVE SAMPLING !

In addition to being easy to install and use, the Falcon adapts to all types of vehicles. For optimal representativeness, the sampler is supplied with a twin-tube probe, allowing core-sampling. The sample is transported from the tip to the reception in the laboratory in food and anti-static pipes. The suction turbine and the electrical cabinet are attached to the pillar.

	STANDARD VERSION	GYRO VERSION
Pillar section	250 mm	250 mm
Swivel drive gearmotor	1 X 0,55 kW	2 X 0,55 kW
Up/Down drive gearmotor	1.1 kW	1.1 kW
Base plate	600 x 600 mm	600 x 600 mm
Sampling radius	2900 mm	4000 mm
Warranty on electrical and mechanical components	3 ans	3 ans
Electric power	400 VAC + N + E 50 Hz	400 VAC + N + E 50 Hz
Turbine power	1.9 kW à 7.5 kW	1.9 kW à 7.5 kW